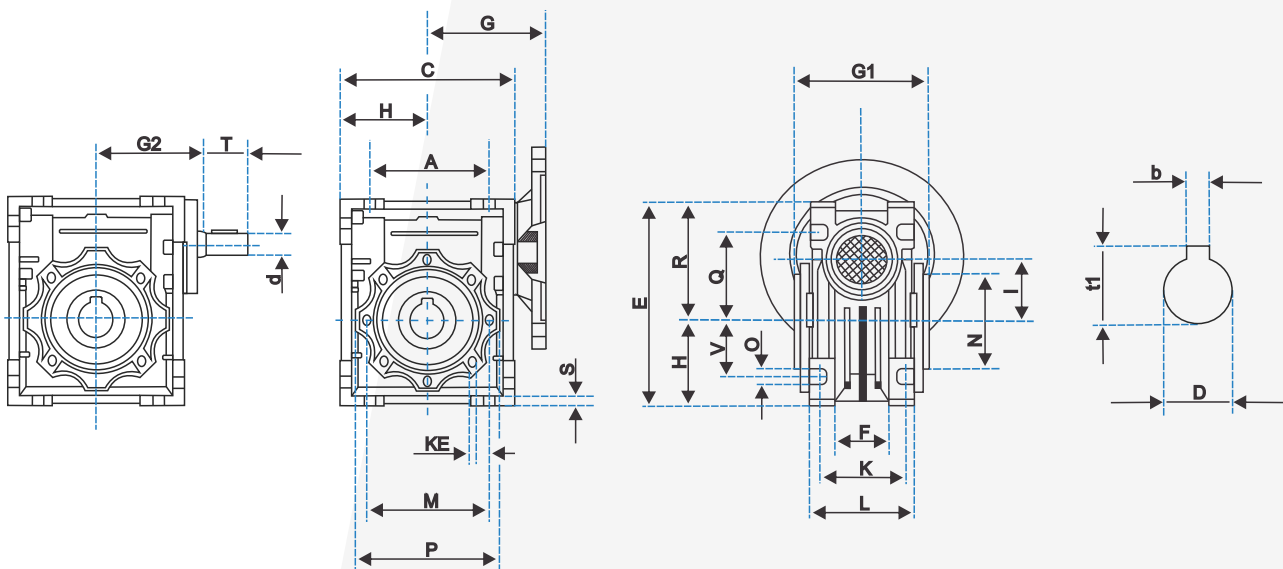


TABLA DE DATOS (MOTOR 4 POLOS, 1800 RPM)

TYPE	RATIO	RPM	HP	Nm	sf
130	7.5	240	10	268.5	4.47
	10	180	10	360.5	3.33
	15	120	10	477.5	2.51
	20	90	10	687.5	1.75
	30	60	7.5	803.7	1.49
	40	45	7.5	905.5	1.33
	50	36	7.5	1054.5	1.13
	60	30	5	954.6	1.26
	80	22.5	3	630.3	1.90
	100	18	3	1004.0	1.20

MATERIAL CONSTRUCTIVO HIERRO

REFERENCIA	TIPO DE FLANCHE IEC	N	M	P	RELACION												
					7,5	10	15	20	25	30	40	50	60	80	100		
NMRV130	90B5	130	165	200	/	/	/	/	/	/	/	/	/	/	/	24	24
	100/112B5	180	215	250	/	/	/	/	28	28	28	28	28	28	28	28	28
	132B5	230	265	300	38	38	38	38	38	38	38	38	/	/	/	/	/



A	C	D	E	F	G	H	I	L	M	N	O	P	Q	R	S	T	V	K	N1	KE	α	d(j6)	b	t1
200	292,5	45	335		≤179	147,5	130	155	215	180	16	250	140	187,5	15	80	100	120	81	M12X20(n8)	45°	30	14	48,8