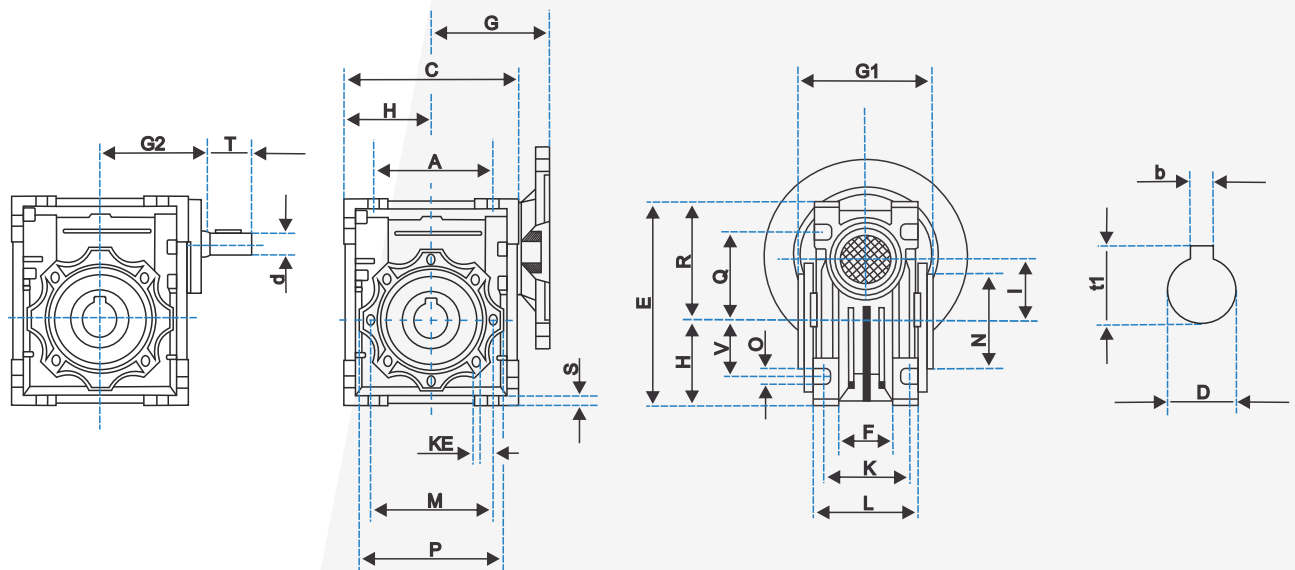


TABLA DE DATOS (MOTOR 4 POLOS, 1800 RPM)

TYPE	RATIO	RPM	HP	Nm	sf
50	7.5	240	1	27.4	3.88
	10	180	1	35.6	2.97
	15	120	1	51.6	2.06
	20	90	1	67.9	1.56
	30	60	3/4	61.27	1.73
	40	45	3/4	89.3	1.19
	50	36	1/2	65.09	1.62
	60	30	1/2	75.5	1.40
	80	22.5	1/3	92.2	1.15
100	18	1/4	124.7	0.83	

REFERENCIA	TIPO DE FLANCHE IEC	N	M	P	RELACION											
					7,5	10	15	20	25	30	40	50	60	80	100	
NMRV50	63B5	95	115	140	/	/	/	/	/	/	/	/	11	11	11	11
	71B14	70	85	105	14	14	14	14	14	14	14	14	14	14	14	/
	71B5	110	130	160	14	14	14	14	14	14	14	14	14	14	14	/
	80B14	80	100	120	19	19	19	19	19	19	19	/	/	/	/	/
	80B5	130	165	200	19	19	19	19	19	19	19	/	/	/	/	/



A	C	D	E	F	G	H	I	L	M	N	O	P	Q	R	S	T	V	K	N1	KE	$\alpha$	d(j6)	b	t1
80	121,5	25	144	49	<90	60	50	85	85	70	8,5	100	64	85	7	30	40	70	43,5	M8X10(n4)	45°	14	8	28,3