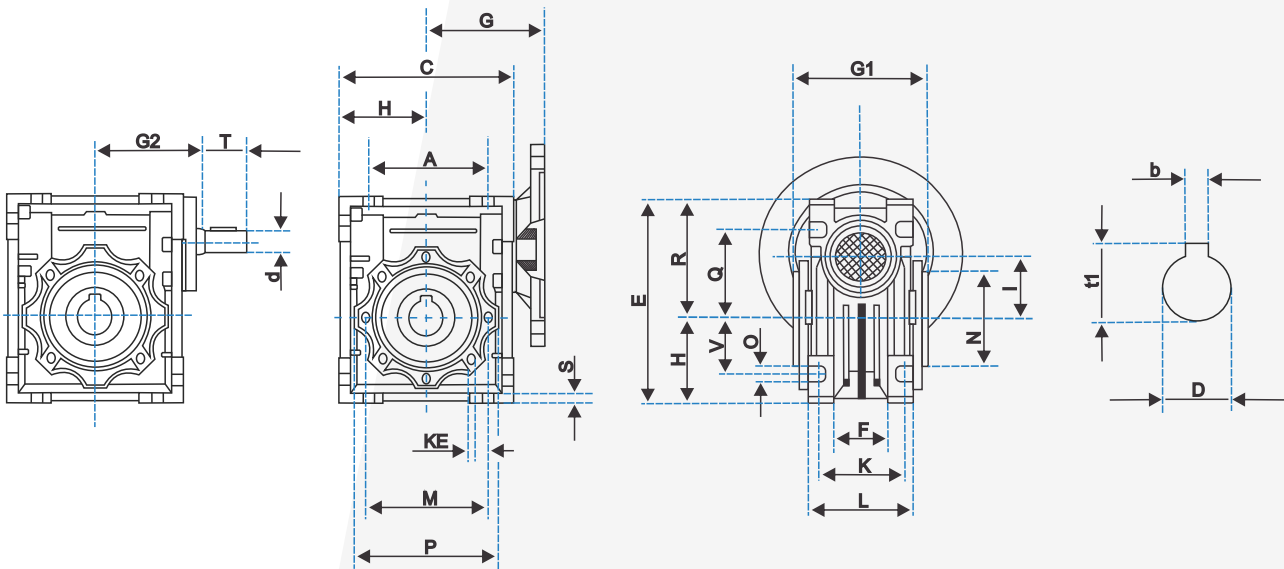


TABLA DE DATOS (MOTOR 4 POLOS, 1800 RPM)

TYPE	RATIO	RPM	HP	Nm	sf
75	7.5	240	5	133.5	2.24
	10	180	4	147	2.04
	15	120	4	191	1.57
	20	90	3	191.2	1.57
	30	60	3	286.8	1.05
	40	45	2	191.2	1.57
	50	36	1.5	193.5	1.55
	60	30	1.5	233.9	1.28
	80	22.5	3/4	157.5	1.91
	100	18	3/4	185.3	1.62

REFERENCIA	TIPO DE FLANCHE IEC	N	M	P	RELACION											
					7,5	10	15	20	25	30	40	50	60	80	100	
NMRV75	71B5	110	130	160	/	/	/	/	/	/	/	/	14	14	14	14
	80B14	80	100	120	/	/	/	19	19	19	19	19	19	19	19	19
	80B5	130	165	200	/	/	/	19	19	19	19	19	19	19	19	19
	90B14	95	115	140	24	24	24	24	24	24	24	24	/	/	/	/
	90B5	130	165	200	24	24	24	24	24	24	24	24	/	/	/	/
	100/112B14	110	130	160	28	28	28	/	/	/	/	/	/	/	/	/
	100/112B5	180	215	250	28	28	28	/	/	/	/	/	/	/	/	/



A	C	D	E	F	G	H	I	L	M	N	O	P	Q	R	S	T	V	K	N1	KE	α	d(j6)	b	t1
120	174	28	205	72	≤121	86	75	113	115	95	11	140	93	119	10	50	60	90	57	M8X14(n8)	5°	24	8	31,3