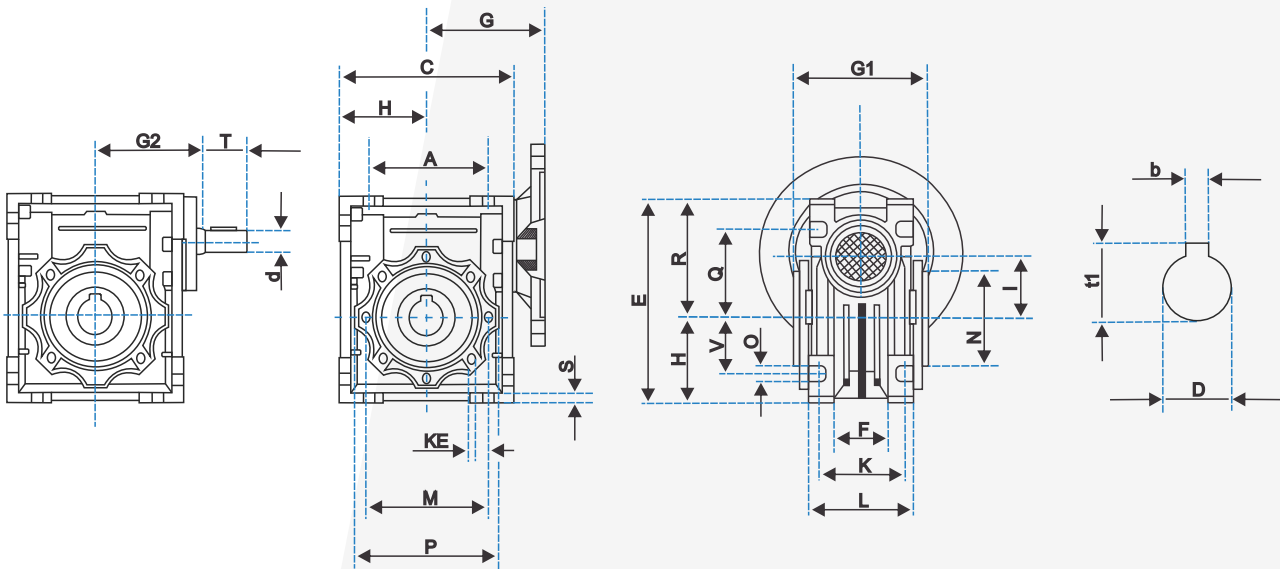


TABLA DE DATOS (MOTOR 4 POLOS, 1800 RPM)

| TYPE | RATIO | RPM | HP | Nm | sf |
|------|-------|------|-----|--------|------|
| 90 | 7.5 | 240 | 5 | 143.2 | 4.09 |
| | 10 | 180 | 5 | 205.9 | 2.84 |
| | 15 | 120 | 5 | 254.6 | 2.30 |
| | 20 | 90 | 5 | 390.6 | 1.50 |
| | 30 | 60 | 4 | 426.1 | 1.37 |
| | 40 | 45 | 3 | 363 | 1.61 |
| | 50 | 36 | 3 | 331.7 | 1.76 |
| | 60 | 30 | 2 | 210.09 | 2.78 |
| | 80 | 22.5 | 1.5 | 315.1 | 1.85 |
| | 100 | 18 | 1 | 252.7 | 2.32 |

| REFERENCIA | TIPO DE FLANCHE IEC | N | M | P | RELACION | | | | | | | | | | | |
|------------|---------------------|-----|-----|-----|----------|----|----|----|----|----|----|----|----|----|-----|----|
| | | | | | 7,5 | 10 | 15 | 20 | 25 | 30 | 40 | 50 | 60 | 80 | 100 | |
| NMRV90 | 80B14 | 80 | 100 | 120 | / | / | / | / | / | / | / | 19 | 19 | 19 | 19 | 19 |
| | 80B5 | 130 | 165 | 200 | / | / | / | / | / | / | / | 19 | 19 | 19 | 19 | 19 |
| | 90B14 | 95 | 115 | 140 | 24 | 24 | 24 | 24 | 24 | 24 | 24 | 24 | 24 | / | / | / |
| | 90B5 | 130 | 165 | 200 | 24 | 24 | 24 | 24 | 24 | 24 | 24 | 24 | 24 | / | / | / |
| | 100/112B14 | 110 | 130 | 160 | 28 | 28 | 28 | 28 | 28 | 28 | / | / | / | / | / | / |
| | 100/112B5 | 180 | 215 | 250 | 28 | 28 | 28 | 28 | 28 | 28 | / | / | / | / | / | / |



| A | C | D | E | F | G | H | I | L | M | N | O | P | Q | R | S | T | V | K | N1 | KE | α | d(j6) | b | t1 |
|-----|-----|----|-----|----|------|-----|----|-----|-----|-----|----|-----|-----|-----|----|----|----|-----|----|------------|----------|-------|----|------|
| 140 | 208 | 35 | 238 | 72 | ≤138 | 103 | 90 | 130 | 130 | 110 | 13 | 160 | 102 | 135 | 11 | 50 | 70 | 100 | 67 | M10X18(n8) | 45° | 24 | 10 | 38,3 |